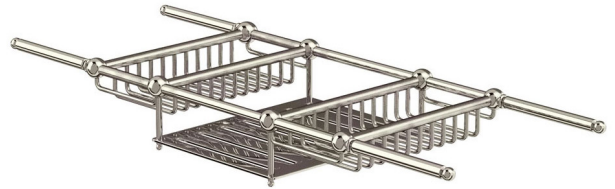


Arcade Bath Rack

US-ARCA27

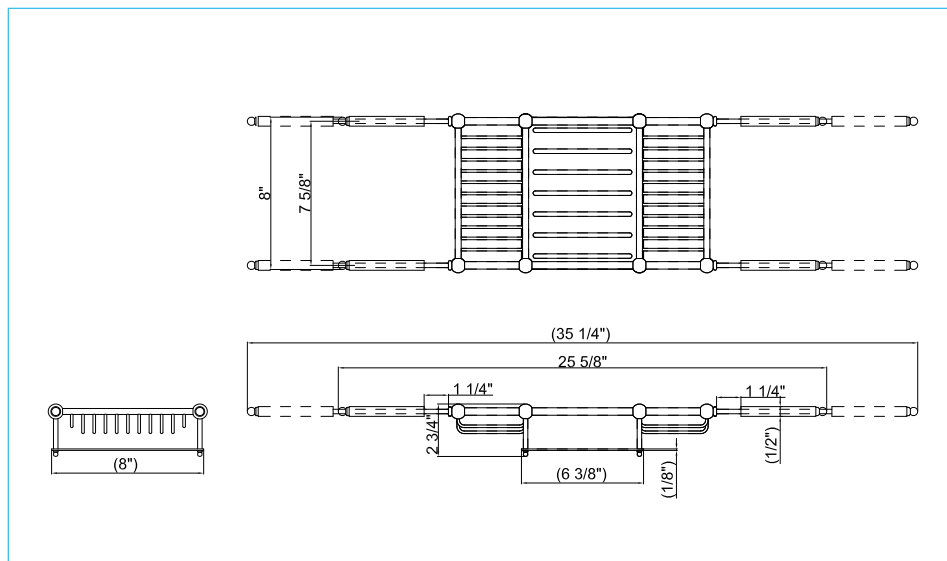
FEATURES

- Extendable bath rack
- Extends 25-1/2" - 35"
- Size:
 - Length: 35-1/4"
 - Width: 8"
 - Depth: 2-3/4"



SPECIFICATION

- Warranty: Limited lifetime
Commercial: 1 year



For further information contact Crosswater London, 393 Fortune Blvd., Milford, MA 01757
Toll free number: 844-XWATER-1 (844-992-8371) tel: 508-381-0433 fax: 508-381-6068
www.crosswater-bathrooms.com | technical@crosswater-bathrooms.com